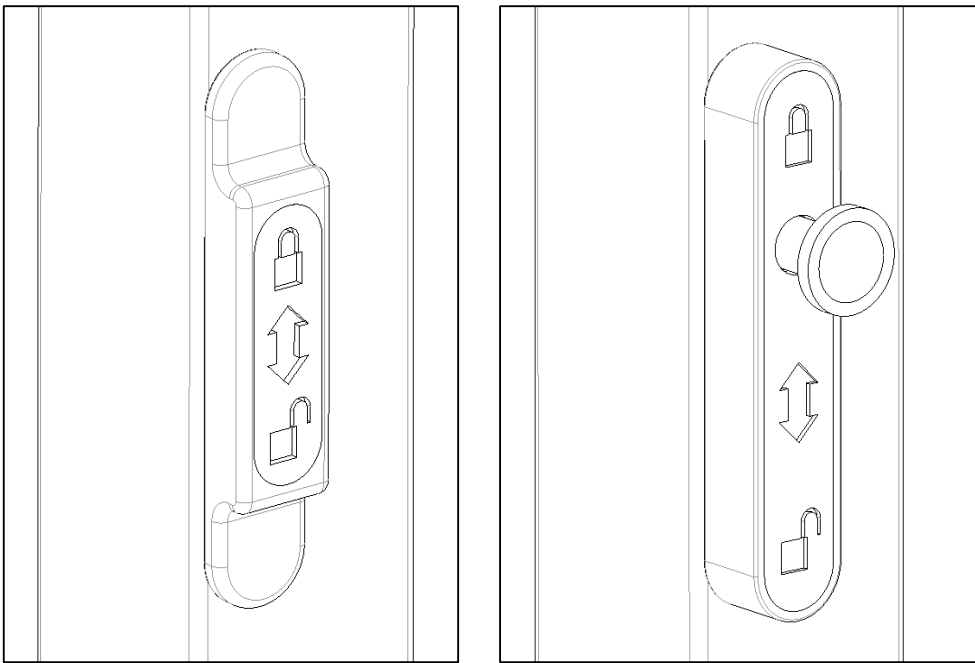




Installation Manual

INSTALL0015

Patio door shootbolt retro – fitting guide



Issue	ECN	Date	Remarks
A	02925	22/01/10	First Issue



Contents

Page

- Introduction 3
- Warranty 4
- Installation 5
- Contacts 8

Introduction

Please read installation manual thoroughly prior to installation.

If there are any queries arising from the installation process, please contact Trend Marine Products Limited.

This manual contains information for safe and complete installation of the product. Incorrect installation may result in a non operable product, failure to work with-in design parameters or being unsafe for use.

It is solely the responsibility of the customer to ensure correct fitment and Pre-Delivery Inspection of the product. Trend Marine Products Ltd. does not accept liability for incorrect installation or damage caused due to poor installation.

Any defects in the product must be notified to Trend Marine Products within 14 days of delivery (unless other supply agreements prevail). An agreed process of repair or replacement will then be undertaken.

Please keep this installation guide for future reference.

Warranty

Trend Marine products are covered by a 12 month warranty from the date of installation or 12 months to the end user, provided hand over to the end user is within 12 months of the product being installed (unless other warranty agreements prevail).

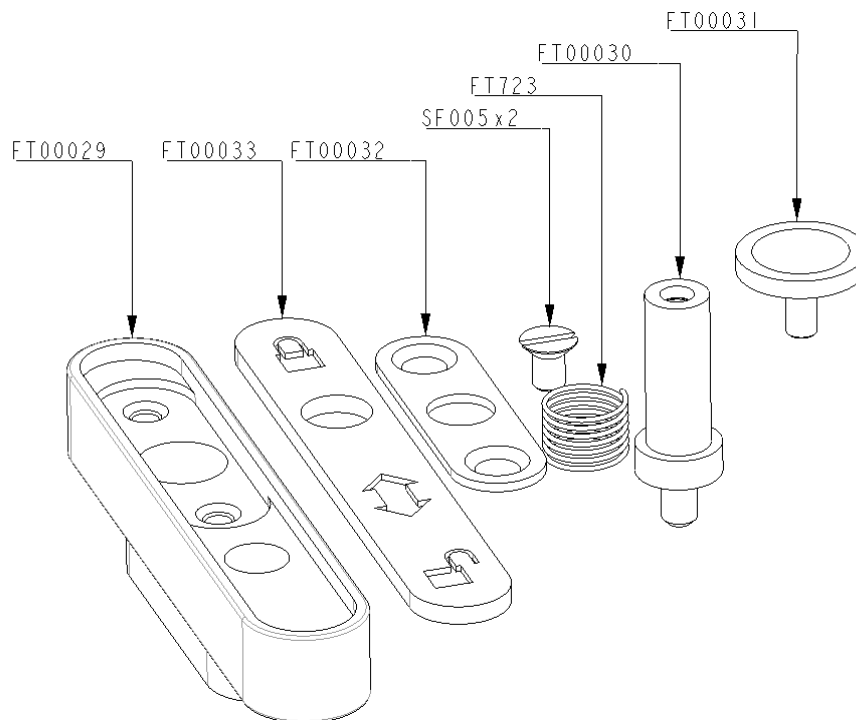
The warranty does not cover the product for the following:

- Normal wear and tear of all products.
- Repairs made without written authorisation of Trend Marine Products
- Failure due to non compliance of maintenance schedules
- Incorrect use of the product
- Use of the product under conditions for which its' design was not intended
- The use of unauthorised spare parts

Trend Marine accepts no loss or liability for damage, defects, malfunctions or injury caused by incorrect installation of the product.

It is the customer's responsibility to ensure that all relevant health and safety laws and guidelines are adhered to during the installation of Trend Marine products.

Pre-Installation - Check



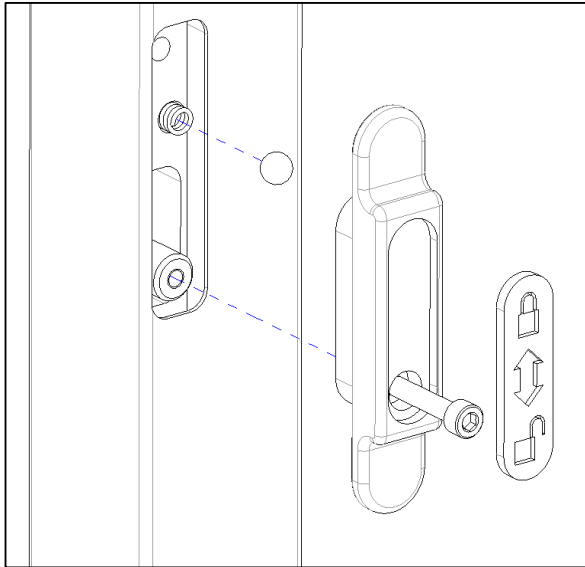
Upon receipt of the components, please check to make sure none are missing. The above image displays the components required to retro fit a single shootbolt assembly.

The equipment recommended to complete the fit is listed below.

- 6mm Drill bit.
- Drill.
- Flat head screwdriver.
- Metric 5mm Allen key/wrench.
- Loctite222 (or suitable thread lock equivalent).
- Superglue.
- Pair of pliers.

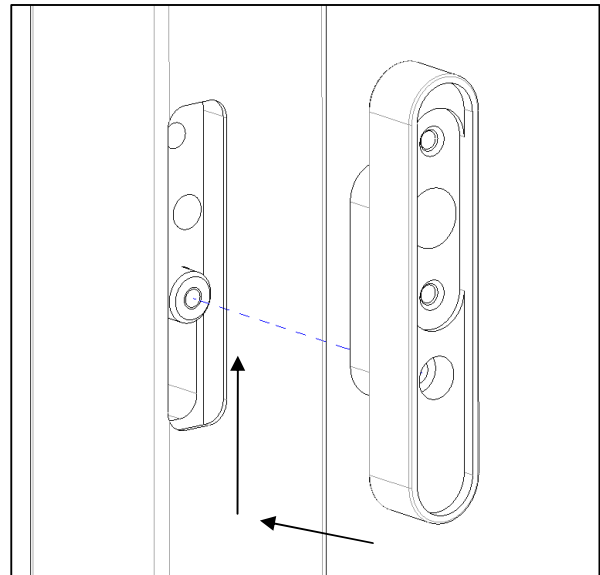


Installation



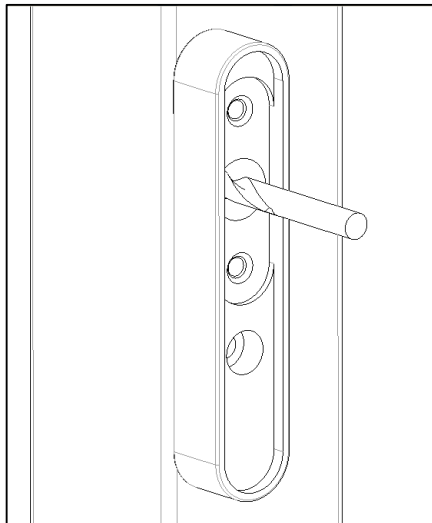
Stage 1

- Remove cover plate.
- Undo screw using Allen key. Keeping the screw safe for re-use.
- Remove the handle, spring, and ball bearing.



Stage 2

- Attach new handle (FT00029) as shown.
- Push the handle up to the locked position (ensure the door is positioned correctly to allow this to happen).



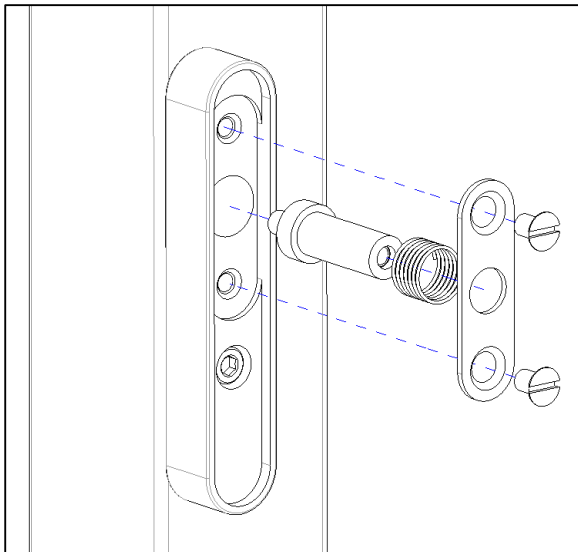
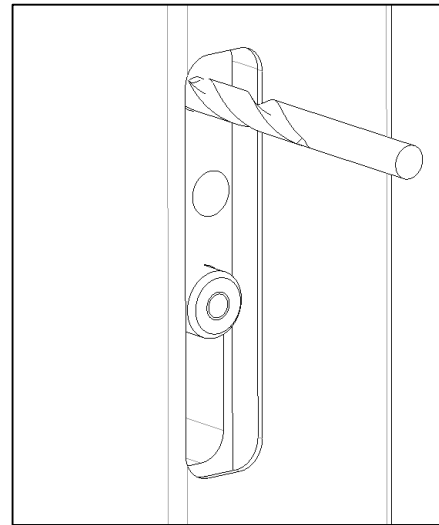
Stage 3

- With the handle in the locked position, use the 6mm drill bit to mark the plastic inside the door.



Stage 4

- Remove the handle and drill a hole on the spot marked out in stage 3. The hole must be at least 6mm deep (1/4").

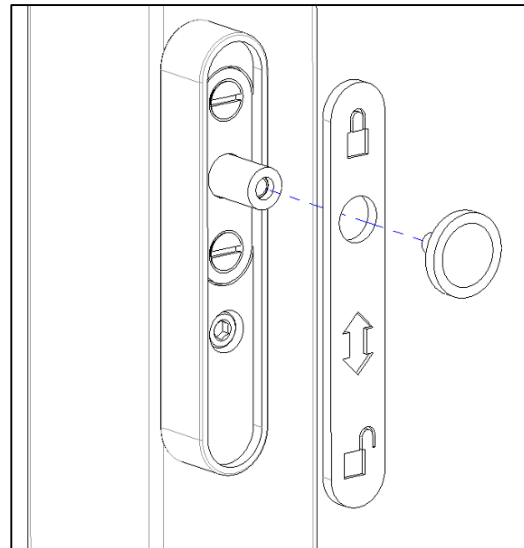


Stage 5

- Attach handle FT00029 using the original screw. Ensure loctite is used.
- Insert the lock pin FT00030 and spring FT723.
- Secure both in place with the lock retainer plate FT00032 and the two flat head screws SF005.
- Make sure plate FT00032 has the countersinks facing out before screwing.

Stage 6

- Attach cover plate FT00033 to the handle using the superglue.
- Screw on the lock button ensuring thread lock is used. Grip the lock pin with the pliers to ensure the lock button is screwed on tightly.





Contacts

Trend Marine Products Ltd
Sutton Road
Catfield
Great Yarmouth
Norfolk
NR29 5BG
United Kingdom

Telephone: +44 (0) 1692 581307
Sales Fax: +44 (0) 1692 582550
General Fax: +44 (0) 1692 582993

E-mail us at the following:

sales@trendmarine.com
brochure@trendmarine.com
enquiry@trendmarine.com
spares@trendmarine.com