

Stainless Steel Patio Doors



- Standard (type 112-10)
- Flush Walk Through (type 112-16)



01



03



02



04

Trend Marine Products has been developing and expanding its range of patio doors for 30 years.

Both curved and flat units are supplied with a wide range of possible configurations and dimensions. Electric drives are also offered.

All stainless steel doors are produced from 316 grade material and finished with a high polish. Pneumatic seals are also available.

All fittings are of the highest quality and are validated in Trend Marine's engineering workshops. A wide array of glass colours and effects are available from stock.

These doors are manufactured at our factory in the UK and are sold throughout the UK, Europe, Middle East, Far East and North America.

Approvals:

- Recreational Craft Directive 94/25/EC amended by 2003/44/EC
- RINA type approval

01 Superyacht curved patio door

02 Electrically operated door

03 Standard heavy duty system door

04 Large multi-opening door

Marine glass. World class.

**Stainless Steel
Patio Doors**

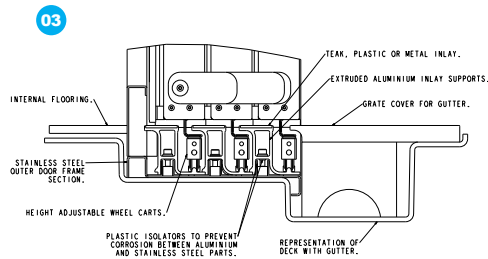
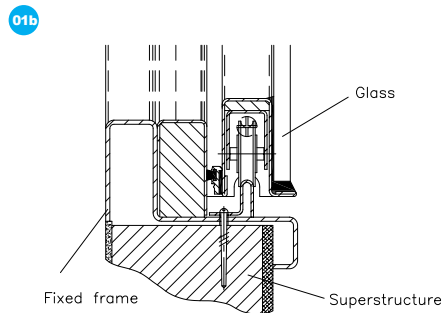
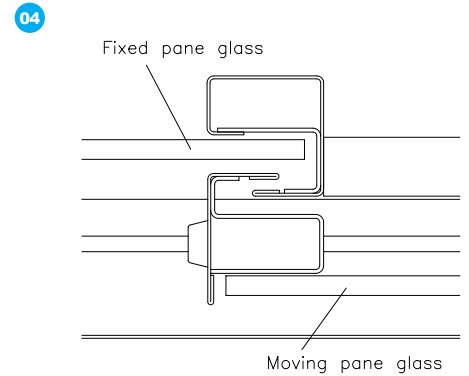
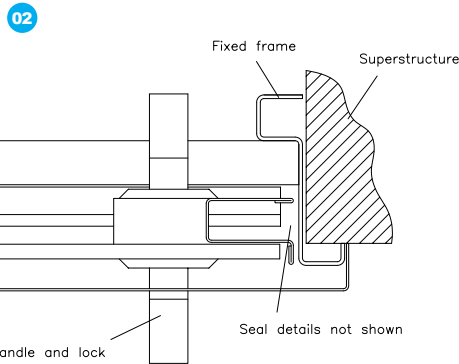
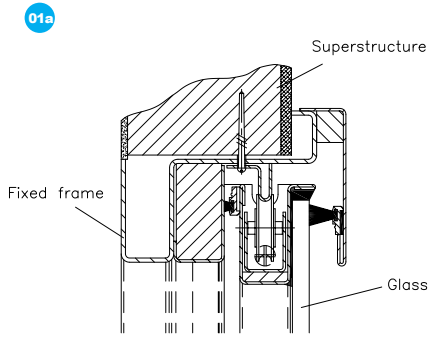
PF15A

Trend Marine Products Ltd
Catfield, Norfolk,
NR29 5BG, UK.

enquiry@trendmarine.com
www.trendsuperyacht.com
+44 (0)1692 581307

Email the Design Team
engineering@trendmarine.com

Typical Sections (not to scale)



01a Stainless patio top section

01b Cill section standard stainless patio

02 Stainless patio lock stile section

03 Cill section flush walk-through

04 Stainless patio interlock section

Configurations and Hardware



Heavy duty handle and lock



Typical shoot bolt arrangement



Threshold for flush walk through door



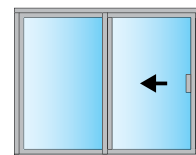
Electric opening control panel

Typical Arrangements

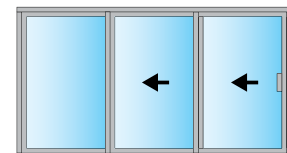
Note that other arrangements and hardware options are available



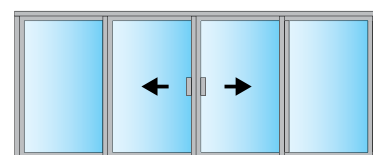
Single Pane Unit



Two Pane Unit



Three Pane Unit



Four Pane Unit